

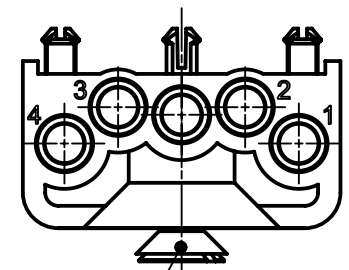
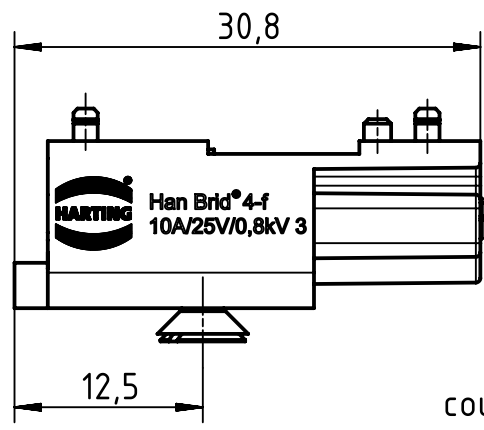
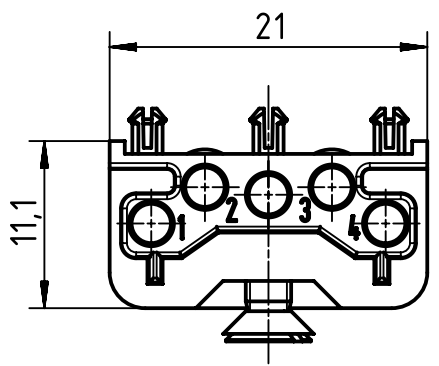
1 2 3 4 5 6

A

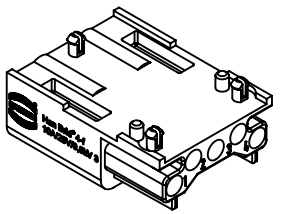
B


C

D



countersunk screw M3x6 enclosed separately



	All Dimensions in mm Original Size DIN A4		Scale 2:1	Free size tol.		Ref.
	All rights reserved Department EL PD - DE		Created by RULLKOETTER	Inspected by RIEPE	Standardisation RUETERA	Date 2017-10-04
HARTING Electric GmbH & Co. KG D-32339 Espelkamp			Title Han Brid-bu-c (G)			Doc-Key / ECM-Nr. 100205813/UGD/004/B 500000126086
			Type TB	Number 09 12 004 3101		Rev. B Page 1/1